

INFINITY SECURITY BRACKET INSTALLATION INSTRUCTIONS

The Rinnai Infinity Security Bracket is compatible for installation on all Rinnai Hot Water Heaters.

1. Determine the most suitable position for the Rinnai Hot Water Heater.
2. Affix the appliance via the top-supporting bracket.
3. Fit the back security bracket behind the lower bracket on the Rinnai Hot Water Heater, allowing the centre pin to protrude through the centre keyhole of the lower bracket (Fig 1).

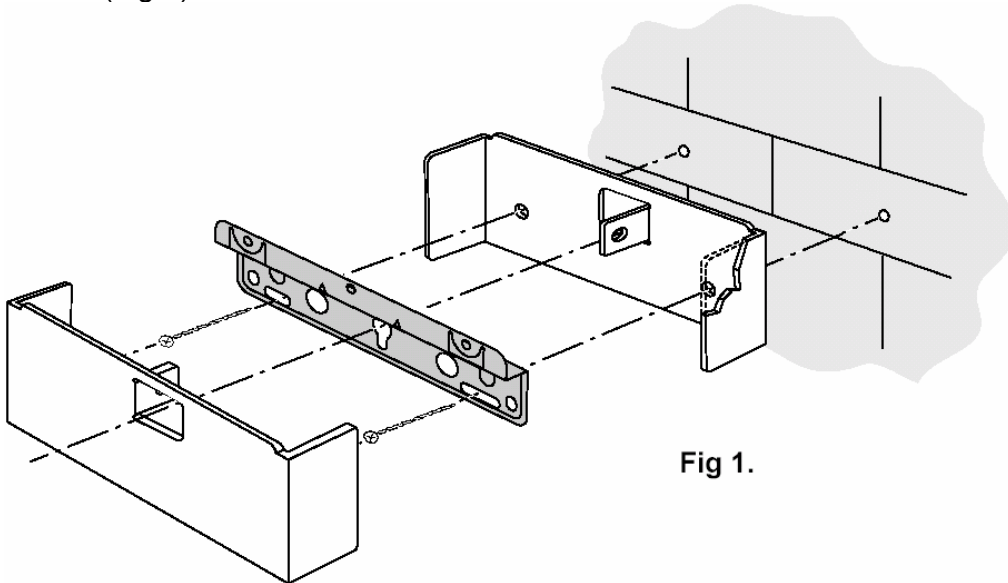


Fig 1.

4. With the brackets in position, mark the position for the two fixing points.
5. Drill two holes in the cladding and secure both lower brackets with screws.
6. Connect the gas and water connections.
7. Commission the Infinity hot water heater
8. Fit the front security bracket over both the appliance and rear security brackets.
9. Align the holes in the sides of the brackets and secure with a pop-rivet.
10. Attach a suitable padlock (Fig 2).

Note: Tag and keep the key in a safe location as it may be required if the appliance has to be removed. Padlock not supplied by Rinnai.

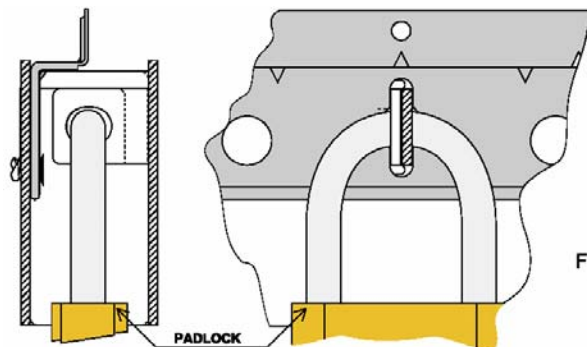


Fig 2.