


Marley Ovation

Larger capacity PVC spouting

A pair of hands is shown from the bottom, with the fingers curled to form a heart shape. The hands are positioned on either side of the central text. The background is a light blue color with a faint, white wireframe grid pattern.

Put your hands
together for a
new *in-ovation* for
rainwater solutions

An exciting evolution

Marley Ovation is characterised by its technical innovation, its optimum hydraulic performance and its simplicity of installation.

Style and Innovation

Its unique shape with a sophisticated and smooth design helps Marley Ovation integrate with any architectural style, classic or contemporary. Marley Ovation offers a complete rainwater system as well as a unique concealed spouting bracket adding to the modern and smooth design of the system.

High Hydraulic Performance

The Marley Ovation spouting has been designed to keep the flow rate of water to an optimum.

The expansion outlet has been specifically designed with ribs which direct and allow the increase of water flow through the downpipes. Only one expansion outlet is required to handle the flow rate of water over a 100m² of plan roof area.*



Precision, Time Saving and Ease of Installation...

...are due to the thoughtful conception of the Marley Ovation system.

- The profile glides through the brackets easily providing for better expansion and contraction.
- Visual marking on the product for installation.
- Secure clipping allowing the use of a ladder on the profile.
- Precision cutting of the profile and downpipe with a unique cutting template.

Quality Assurance

The Marley Ovation system has been tested in extreme temperatures making it ideal for our New Zealand climate. The product is UV resistant and non corrosive.

15 Year Guarantee

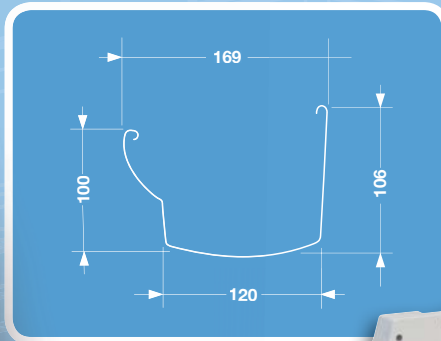
For further details please refer to www.marley.co.nz

*Roof pitch $\leq 35^\circ$ calculated on a rainfall intensity of 100mm per hour.

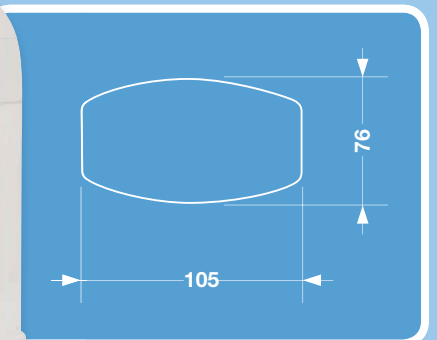
END CAP ACTUAL SIZE
(UFD38B)



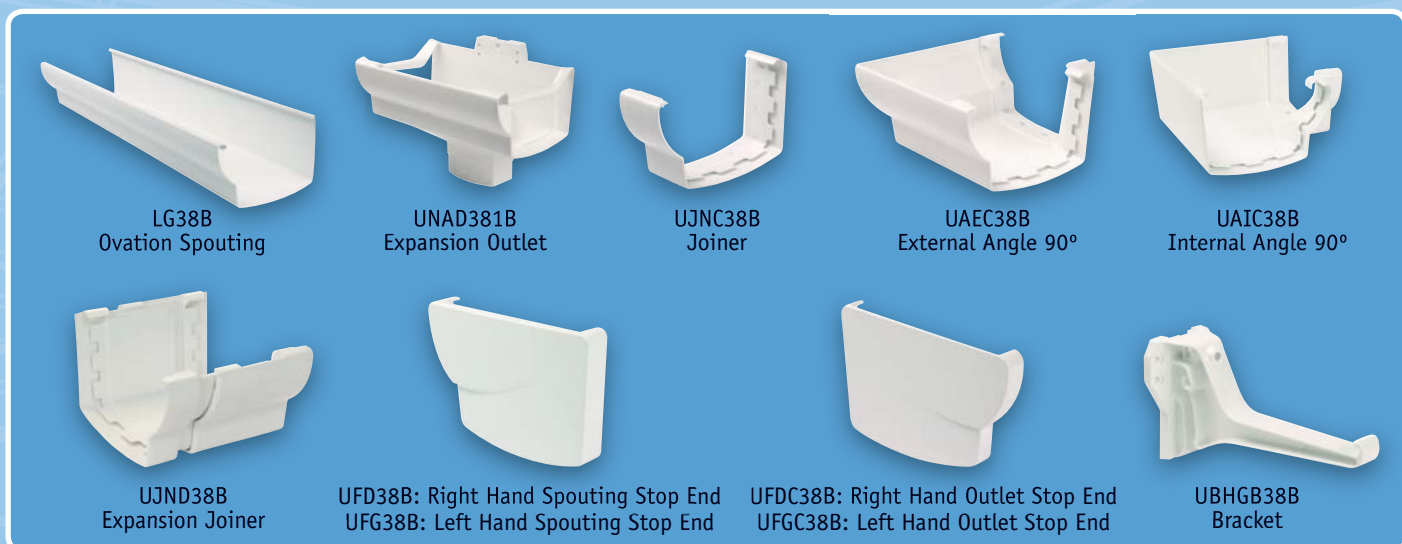
on in PVC spouting



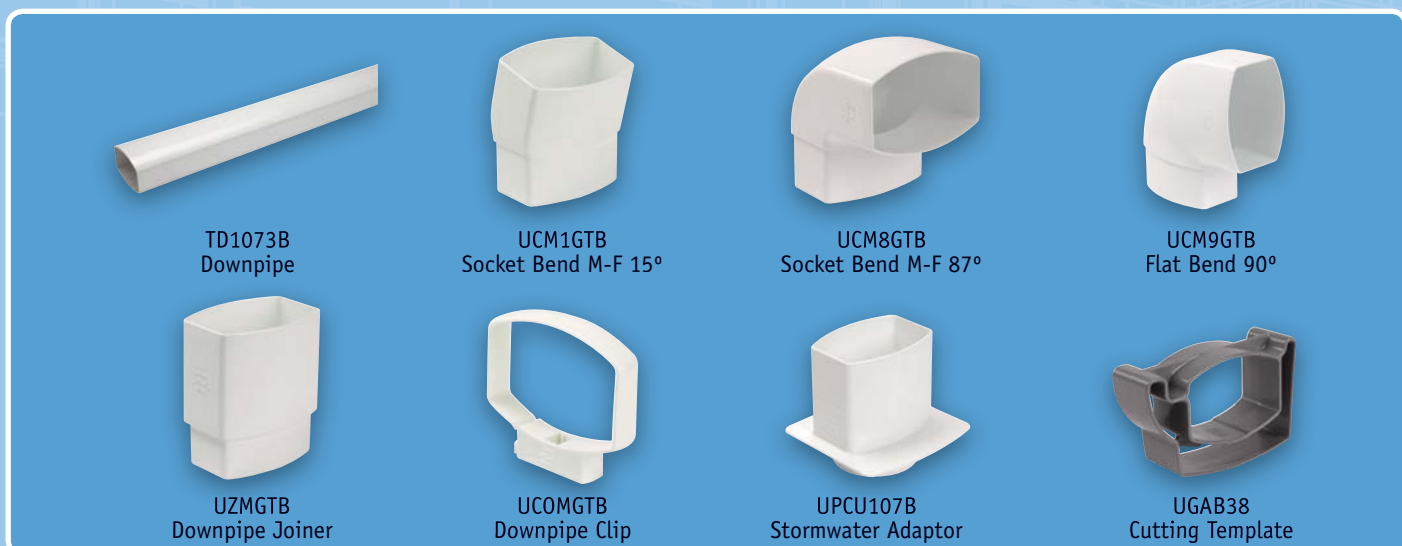
LARGE 13,834mm² CAPACITY



Spouting components



Downpipe components



Installation

Installation instructions are available on the Marley website: www.marley.co.nz

Availability

Marley Ovation is sold in individual units, to meet your specific project requirements.

DISCLAIMER

This technical catalogue has been compiled by Marley New Zealand Limited ("The Company") to promote better understanding of the technical aspects of the Company's products to assist users in obtaining from them the best possible performance. The technical catalogue is supplied subject to acknowledgment of the following conditions: The technical catalogue is protected by Copyright and may not be copied or reproduced in any form or by any means in whole or in part without prior consent in writing by the Company. Product specifications, usage data and advisory information may change from time to time with advances in research and field experience. The Company reserves the right to make such changes at any time without notice. Correct usage of the Company's products involve engineering judgements which cannot be properly made without full knowledge of all the conditions pertaining to each specific installation. The Company expressly disclaims all and any liability to any person whether supplied with this publication or not in respect of anything and of the consequences of anything done or omitted to be done by any such person in reliance whether whole or partial upon the whole or any part of the contents of this publication. No offer to trade, nor any conditions of trading, are expressed or implied by the issue or content of this manual. Nothing herein shall override the Company's Conditions of Sale, which may be obtained from the Registered Office or any Sales Office of the Company. This technical catalogue is and shall remain the property of the Company, and shall be surrendered on demand to the Company.

AUCKLAND - Mahia Road, Manurewa,
Private Bag 802, Manurewa.

Sales Department Tel: 09 279 2777

Direct Fax: 09 279 2778

Freefax: 0800 652 621

Head Office Tel: 09 279 2799

Fax: 09 279 2798

CONTACT CENTRE: 0800 222 922

CHRISTCHURCH

Shands Road, Hornby,

PO Box 16233 Christchurch.

CONTACT CENTRE: 0800 222 922



FUTURE-PROOF BUILDING

WORKING WITH MARLEY
FOR A BETTER TOMORROW

For more information: 0800 MARLEY (0800 627 539)

an *O*Aliaxis company

www.marley.co.nz

MARLEY