

securaGold

WATER TIGHT PLUMBING SYSTEMS

MANIFOLD

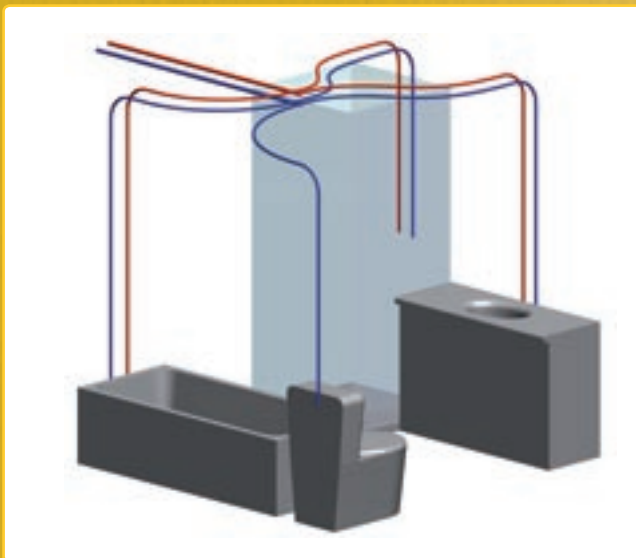
The manifold fitting provides a central distribution point for point-to-point plumbing with fewer joints in the walls.

- ▶ Even flows
- ▶ Reduced pressure fluctuation
- ▶ Fewer joints
- ▶ Faster installation
- ▶ Central control point

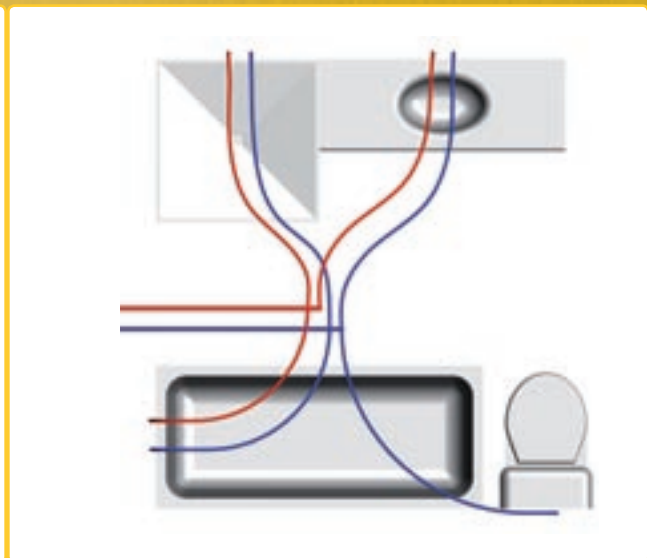


TYPICAL INSTALLATION

DIMETRIC INSTALLATION



TOP VIEW



MANIFOLD

CODE	DESCRIPTION
SMF4303	20mm Manifold x 3 - 15mm outlets
SMF4304	20mm Manifold x 4 - 15mm outlets

Another innovation from:

Dux
INDUSTRIES LIMITED

www.dux.co.nz

an *OAliaxis* company

CUSTOMER SERVICES

0800 367 389