



# TV25-25mm Tempering Valve

## APPLICATION

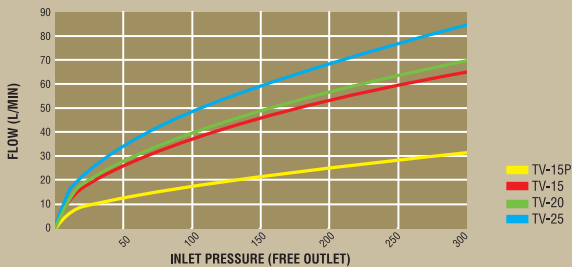
Extremely high flow rate makes the TV 25 suitable for low pressure systems e.g. header tanks, open vented and low head systems. Also suitable for high demand mains pressure systems.

## FEATURES/BENEFITS

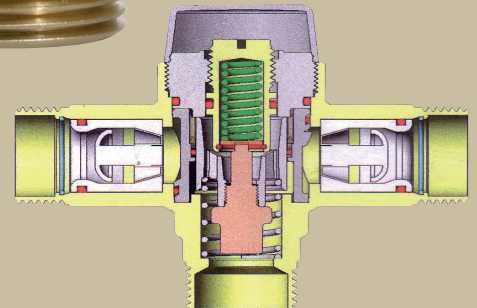
- Forged, high quality, corrosion resistant, DR brass body
- Extremely high flow rates – Up to 90 litres a minute
- Integral non-returns mean valve is ideal in Ring Main installations
- No unions, no leaks

## SPECIFICATION

- Inlet 25mm, 1" BSP (male)
- Outlet 25mm, 1" BSP (male)
- DR Brass forged body
- Length 135 mm
- Height 105 mm
- Inlet water pressures 20 to 1600 kPa
- Outlet temperature adjustable from 35°C – 60°C
- Inlet water temperature 65°C – 99°C
- Integral hot and cold non return valves
- Operates with unequal water pressure up to 5:1 ratio (cold:hot)



Quality Endorsed Company  
ISO 9001  
Licence 4886



## STANDARDS

- Complies with NZ building code G12 (2001)
- Complies with NZS 4617
- NZ patent No. 517764, Aus patent No. 2003200856, RSA patent No. 2003/1992

## MANUFACTURED BY:

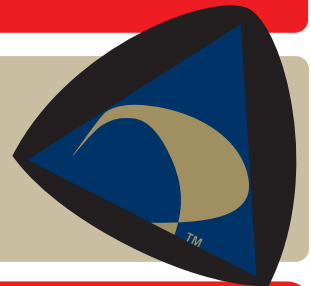


Rosebank, Auckland  
New Zealand  
[www.apexvalves.co.nz](http://www.apexvalves.co.nz)  
**0800 500 484**

## DISTRIBUTED BY: New Zealand



Hydroflow Distributors Ltd  
PO Box 33780  
Takapuna, Auckland  
New Zealand  
Ph: 09 415 5585  
[www.hydroflow.co.nz](http://www.hydroflow.co.nz)



CONNECTING SERVICE WITH QUALITY